



Features

- Simple installation, plug-in port or thread-in fitting
- Compact size : 26x10x10.4mm
- Setting pressure range :
 - Analog : Micro pressure S1 (0 ~ 10 kPa)
 - Micro pressure S2 (0 ~ 5 kPa)



SPECIFICATIONS

| TYPE | Analog | |
|------------------------|---|---|
| MODEL | AP10S1 | AP10S2 |
| 10 kPa (1.45 psi) |  |  |
| 5 kPa (0.725 psi) | | |
| 0 | | |
| Setting pressure range | 0 ~ 10 kPa (0 ~ 1.45 psi) | 0 ~ 5 kPa (0 ~ 0.725 psi) |
| Withstand pressure | 20 kPa (2.9 psi) | |
| Fluid | Filtered air, Non-corrosive/Non-flammable gas | |

FEATURES HIGHLIGHT

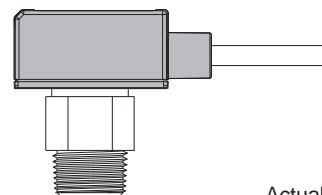
1 Simple installation

Plug-in port for push-to-connect fittings





2 Compact size

Extremely compact size 26(L)x10(W)x10.4(H)mm to fit the most confined areas

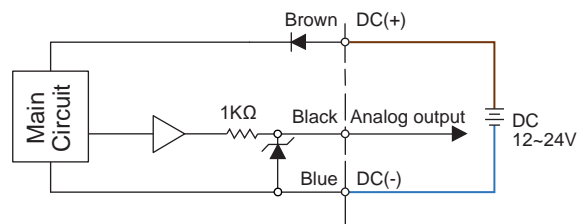


■ SPECIFICATIONS

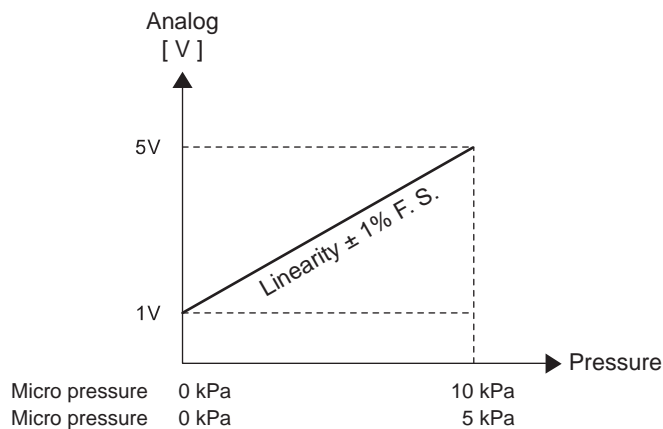
| TYPE | AP10S1 | AP10S2 |
|---|--|---|
| 10 kPa (1.45 psi) 5 kPa (0.725 psi) 0 |  |  |
| Setting pressure range | 0 ~ 10 kPa (0 ~ 1.45 psi) | 0 ~ 5 kPa (0 ~ 0.725 psi) |
| Withstand pressure | 20 kPa (2.9 psi) | |
| Fluid | Filtered air, Non-corrosive/Non-flammable gas | |
| Power supply voltage | 12 to 24V DC (5% ripple voltage) | |
| Load current | 15mA max | |
| Analog output | 1~5 V \pm 1% F. S. / Linearity \pm 0.5% F. S. | 1~5 V \pm 1.5% F. S. / Linearity \pm 1% F. S. |
| Enclosure | IP 40 | |
| Temperature characteristic | \pm 3% F.S. (Range of 0~50°C) | |
| Ambient temp. range | Operation: 0 ~ 50°C (32 ~ 122°F) Storage: -20 ~ 70°C (-4 ~ 158°F) (No condensation or freezing) | |
| Ambient humidity range | Operation/Storage: 35 ~ 85% RH (No condensation) | |
| Vibration | Total amplitude 1.5mm or 10G, 10Hz-55Hz-10Hz scan for 1 minute, two hours each direction of X, Y and Z | |
| Shock | 980m/s ² (100G), 3 times each in direction of X, Y and Z | |
| Piping method | \varnothing 4 mm; \varnothing 6 mm; R1/8", M5; NPT1/8", M5; G1/8"(BSPP), M5; M5 \times 0.8P | |
| Lead wire | Oil-resistance cable, 3 wires (0.18mm ²), \varnothing 2.6mm | |
| Weight | Approx. 50g (with 3 meter lead wire) | |

■ CIRCUIT WIRING DIAGRAMS

AP10□ - 01 - □ - □
Analog Output (1~5V)



■ OUTPUT TYPE



ORDERING INFORMATION

A P 1 0 S 1 - 0 1 - -

Pressure Range

S1 : Micro pressure (0 ~ 10 kPa)
(0 ~ 0.145 psi)

S2 : Micro pressure (0 ~ 5 kPa)
(0 ~ 0.725 psi)

Cable Length / Connector

Blank : With 3 meter cable

C : With M8 3Pin male connector

Output Specification

01 : Analog output (1~5V)

Pressure Port

R4 : \varnothing 4mm Tube

R6 : \varnothing 6mm Tube

F1 : R1/8", M5

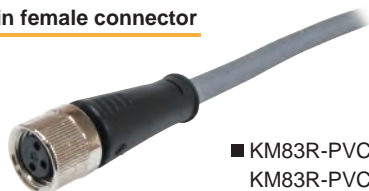
F2 : NPT1/8", M5

F3 : G1/8"(BSPP), M5

M5 : M5*0.8P

Optional Part

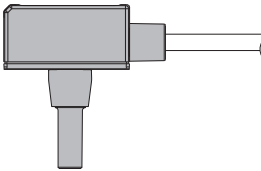
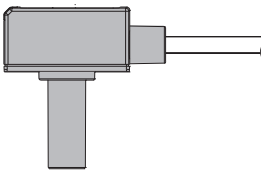
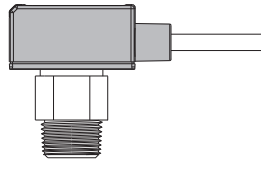
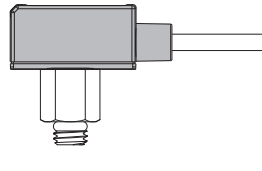
M8, 3Pin female connector



■ KM83R-PVC-2M
KM83R-PVC-5M

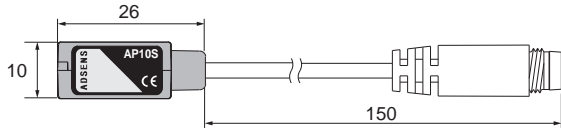
Optional Part

KM83R-PVC-2M / KM83R-PVC-5M :
M8, 3Pin female connector

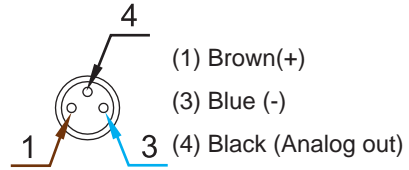
| Pressure Port | R4 | R6 | F1 / F2 / F3 | M5 |
|---------------|---|---|--|---|
| Appearance |  |  |  |  |
| Port size | R4 : \varnothing 4mm | R6 : \varnothing 6mm | F1 : R1/8", M5 F2 : NPT1/8", M5 F3 : G1/8"(BSPP), M5 | M5 : M5*0.8P |

■ DIMENSIONS

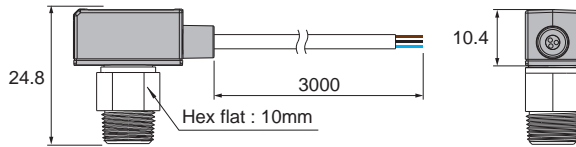
AP10□ - 01 - □ - C



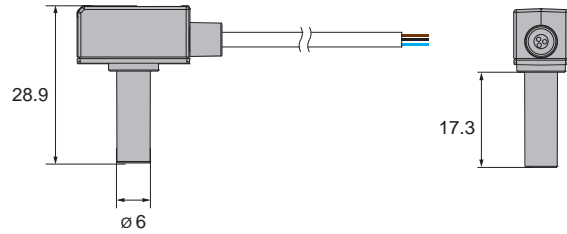
QD PINOUT



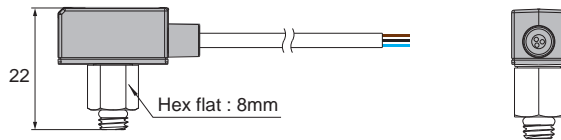
AP10□ - 01 - F1, F2, F3



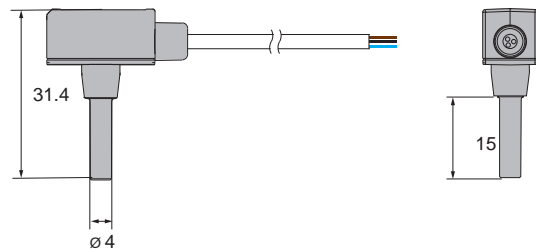
AP10□ - 01 - R6



AP10□ - 01 - M5

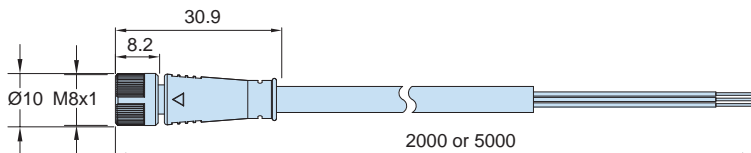


AP10□ - 01 - R4



■ OPTIONAL PART DIMENSIONS

M8 Female Cordset Model : KM83R-PVC-2M \ KM83R-PVC-5M



Unit:mm